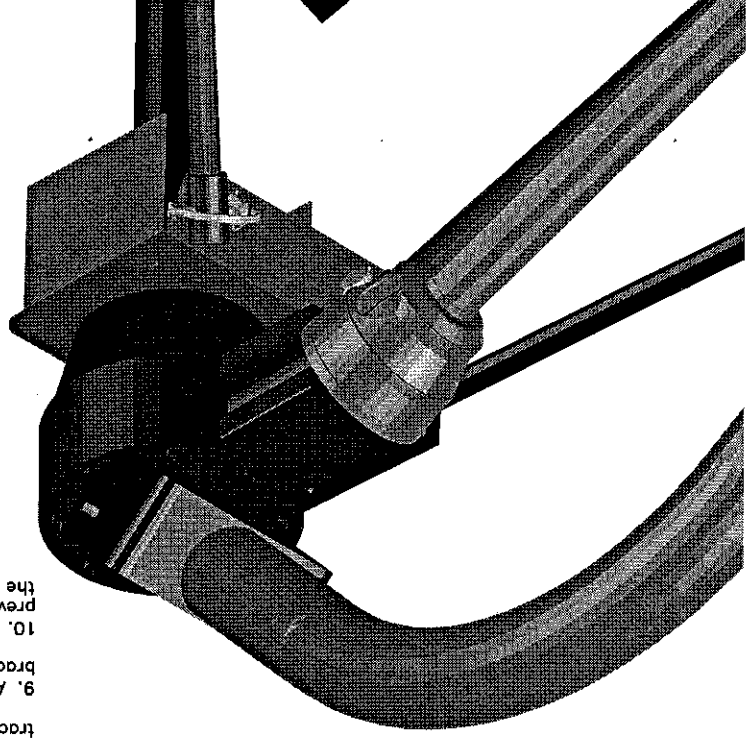
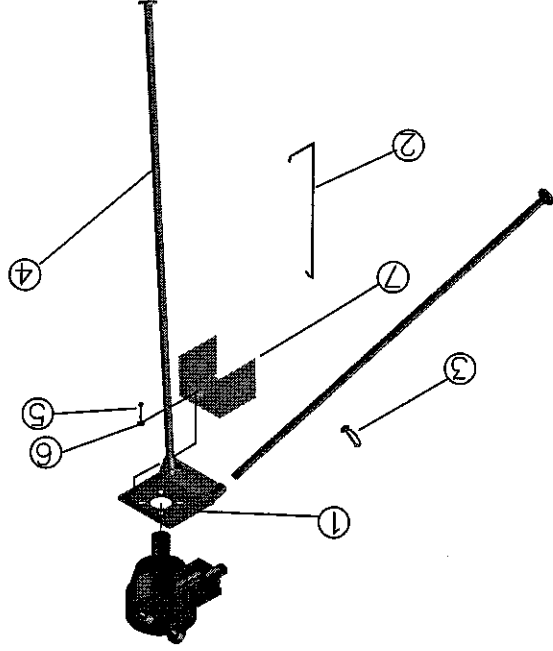
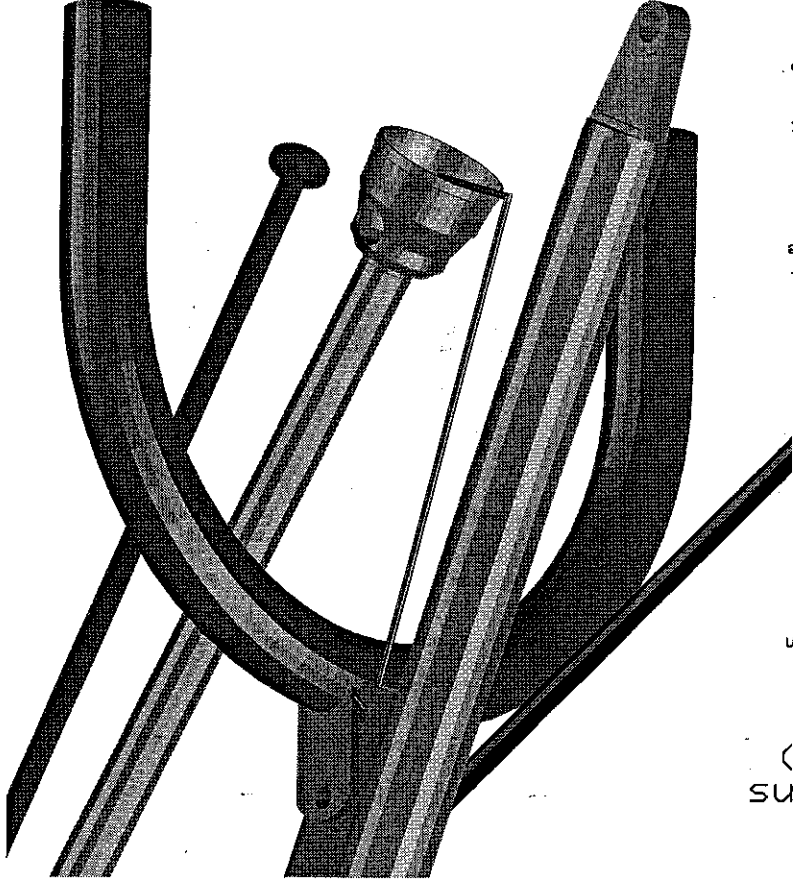


Installation Instructions (with PHD on Tractor)

1. Remove auger from digger.
2. Remove hardware and output shield(7) from bottom of gearbox.
3. Place parking stand base plate(1) and output shield(7) over the shaft. Secure to the bottom of the gearbox using four new hex bolts(5) supplied with the parking stand kit, and flat washers(6).
4. Install auger to output shaft using two hex bolts previously removed.
5. Raise digger to the transport position.
6. Insert the two stand legs(4) into the socket on front of the parking stand base plate. Secure with two locking pins(3).
7. Lower digger until two legs and the auger form a tripod. This will support the post hole digger in a vertical position.
8. Remove digger and driveline from the tractor.
9. Attach the PTO hook(2) to the adjustment bracket on the boom of the digger.
10. Hang the driveline from the hook to help prevent dirt and debris from accumulating in the locking collar on the driveline PTO yoke.



Item #	Part #	Description	Qty
1	102169	Support Plate Weld.	1
2	102179	PTO Hanger	1
3	652041	Pin 8mm. Dia.	2
4	102167	Stand Tube Weld.	2
5	2503304	M-8 x 16mm Hex Bolt (500 PHD)	4
	2503030	3/8" x 3/4" Hex Bolt (720 PHD)	4
6	2501006	1/4" Medium Flat Washer (500 PHD)	4
	2501004	3/8" Medium Flat Washer (720 PHD)	4
7	170916	Output Shield	1



WorkSaver, INC.
P.O. Box 100, Litchfield, Illinois 62056

BRH

7/1/04

102165

STAND-FOR-500/720-PHD